

LED STREET LAMP

Product&Family Code: 074 014 0050

FLORIDA-50



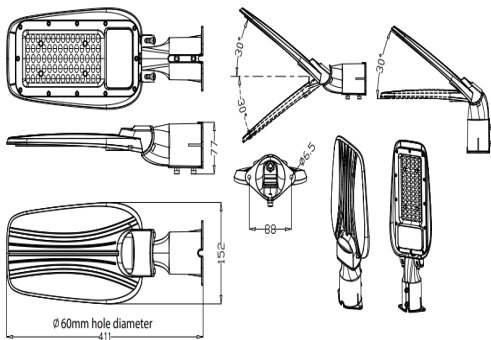
GRAY



Technical Data

Voltage (V)	100-265V
Product Wattage (W)	50
Equivalence with incandescent lamp(W)	400
Colour Render Index (Ra)	>Ra80
Colour Temperature (K)	6400K
Materials	Aluminium + PC
Protection Class	I
Dimmable	No
EEI	A+ E
Warm-up time up to 60 %of the full light output	Instant Full Light
Luminous Flux (lm)	5000
Luminous Efficacy (lm/W)	100
Rated Life (hrs) ⌚	40.000
IP Rating	65
Power Factor	>0.9
Beam Angle	90°
Hole Diameter (mm)	50-55mm
Installation Height(m)	6-7m

Technical Drawing



Applications

Street.



Features

- High Lumen and CRI, Good quality & Constant Current driver.
- High heat dissipation, low carbon and environmental protection.
- SMD LED Lamp Base.
- Aluminum Body

